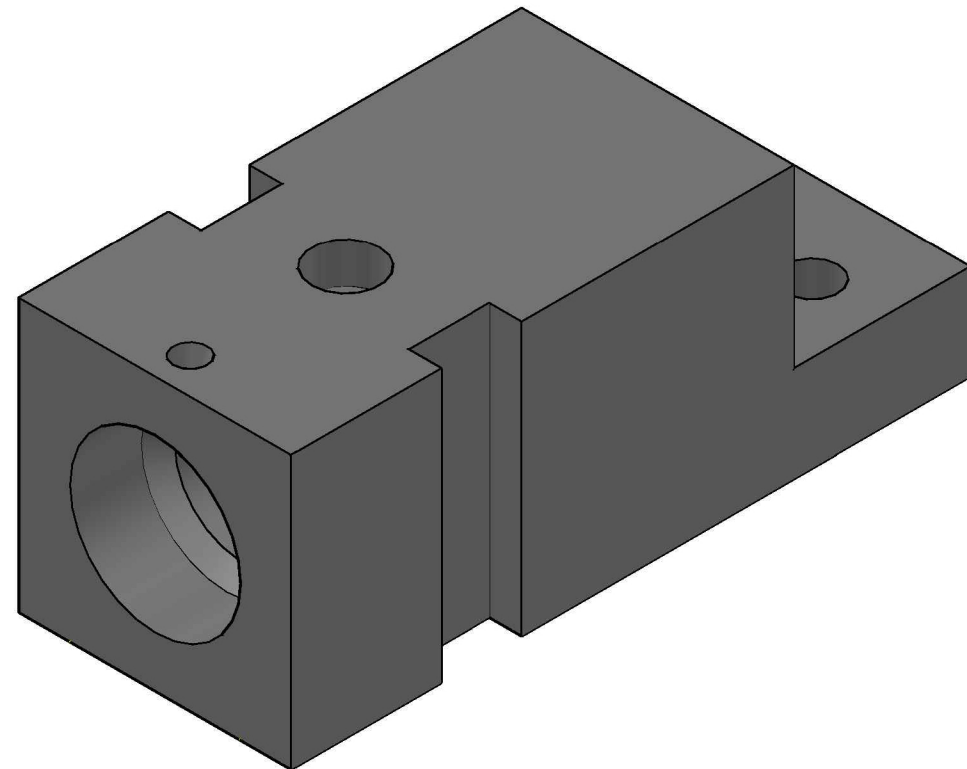
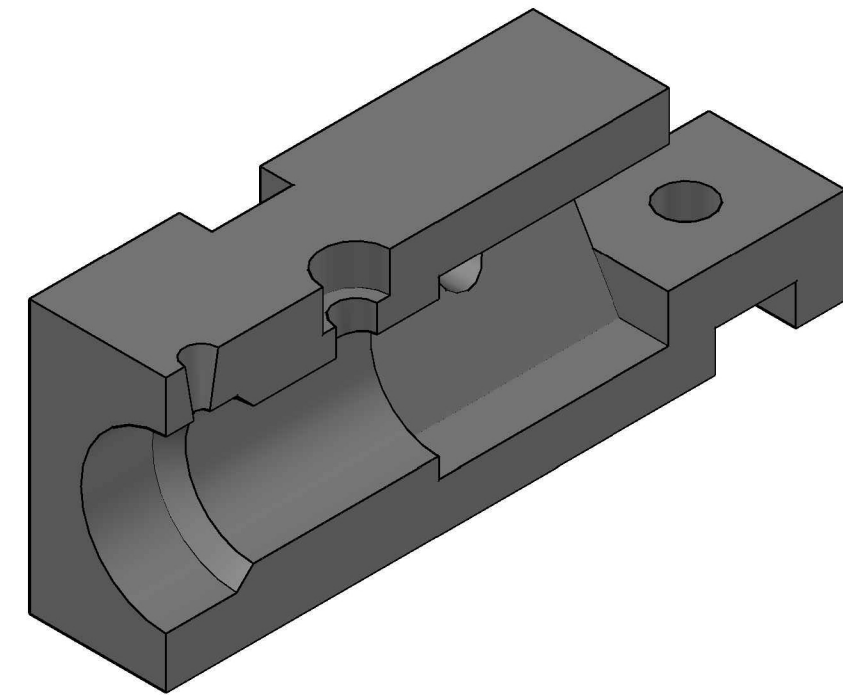


PARTS LISTS

ITEM	QTY.	PART NAME	MATERIAL
1	1	CASING	SAE1012



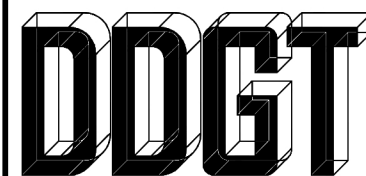
9-39 CASING



CASING SECTION

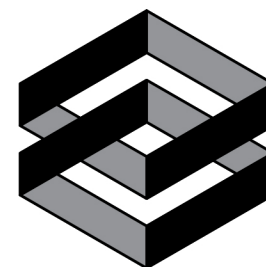
LEGEND:

- ° DEGREES
- ∅ DIAMETER
- R RADIUS
- └┘ COUNTERBORE
- ▽ DEEP



DIGITAL DESIGN
GRAPHIC
TECHNOLOGY

WWW.DDGT.NET



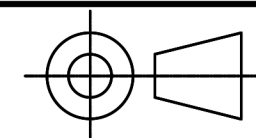
J-TECH

www.ddgt.net/StudentPages/jebuen

**J-TECH
PHOTOGRAPHY
&
2D-3D DESIGN**

Junest Ebuén
Vallejo, CA

lex101je92@gmail.com



TOLERANCES UNLESS SPECIFIED:

DECIMAL INCHES:

X = ±.020

XX = ±.010

XXX = ±.005

FRACTIONAL ±1/64"

ANGLES ±1 DEGREE

SURFACES 32/

COURSE: DDGT120

AUTOCAD DRAWING NAME:

CASING

FIG# 9-39

DRAFTER: J.EBUEN

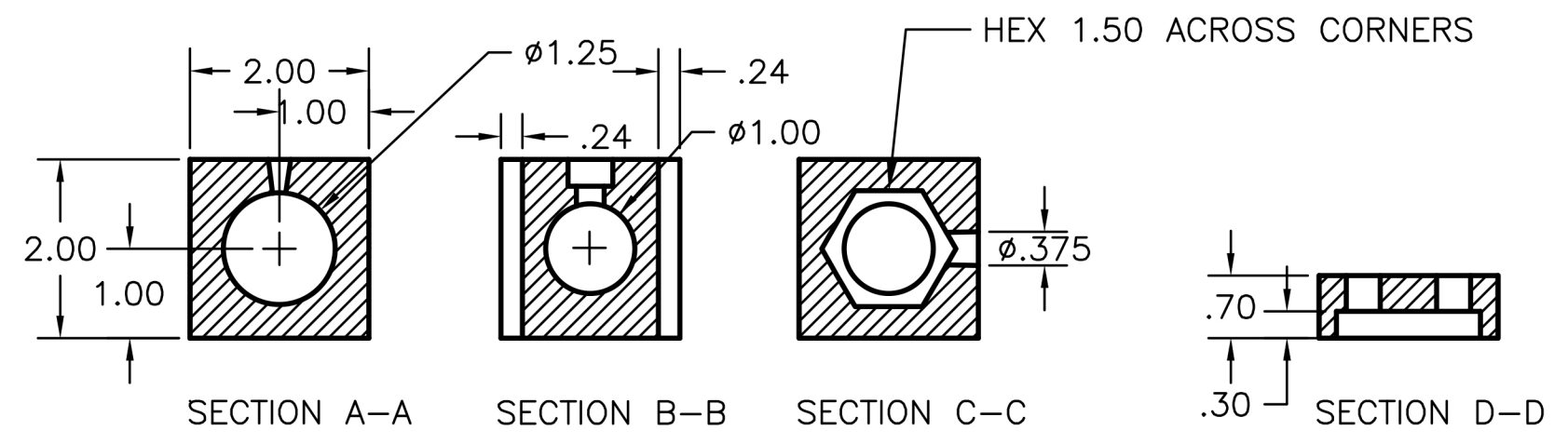
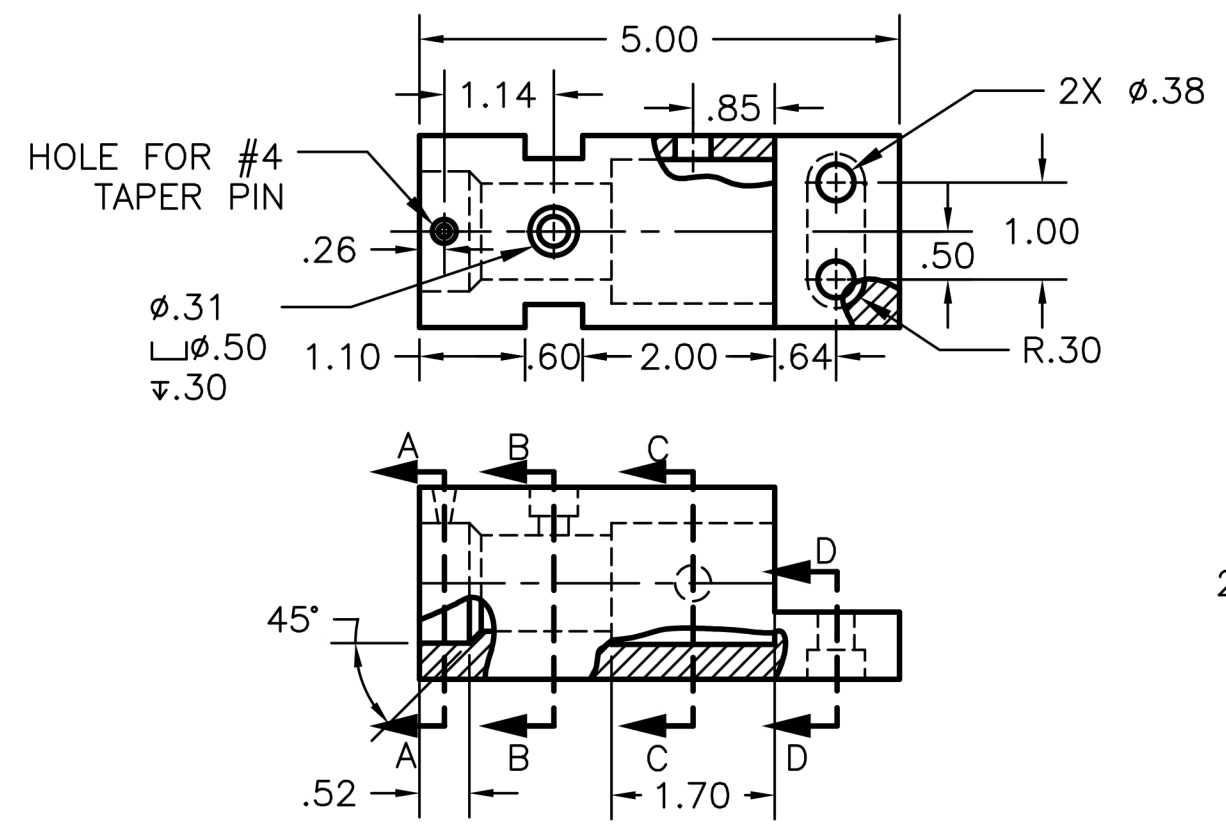
DATE: 11/13/19

SCALE: 1:1

PAGE# 1 OF 2

PARTS LISTS

ITEM	QTY.	PART NAME
1	1	CASING



LEGEND:

- ° DEGREES
- ø DIAMETER
- R RADIUS
- ┌ COUNTERBORE
- ∇ DEEP

DDGT
 DIGITAL DESIGN
 GRAPHIC
 TECHNOLOGY
 WWW.DDGT.NET

J-TECH
 PHOTOGRAPHY
 &
 2D-3D DESIGN
 Junest Ebuon
 Vallejo, CA
 lex101je92@gmail.com
 www.ddgt.net/StudentPages/jebuen

TOLERANCES UNLESS SPECIFIED;
 DECIMAL INCHES:
 X = ±.020
 XX = ±.010
 XXX = ±.005
 FRACTIONAL ±1/64"
 ANGLES ±1 DEGREE
 SURFACES 32/

COURSE:	DDGT120
AUTOCAD DRAWING NAME:	CASING
FIG#	9-39
DRAFTER:	J.EBUEN
DATE:	11/13/19
SCALE:	1:2
PAGE#	2 OF 2